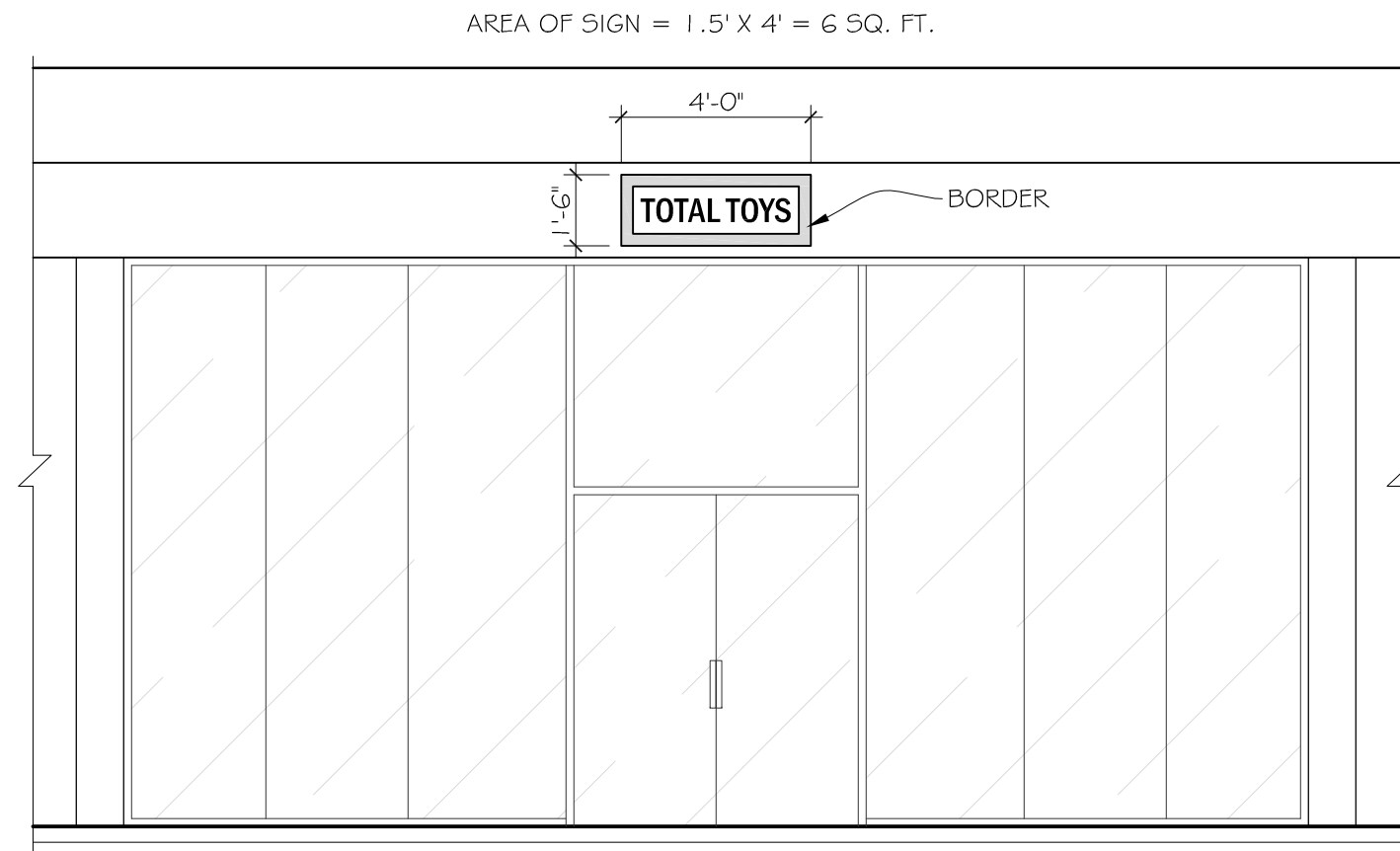
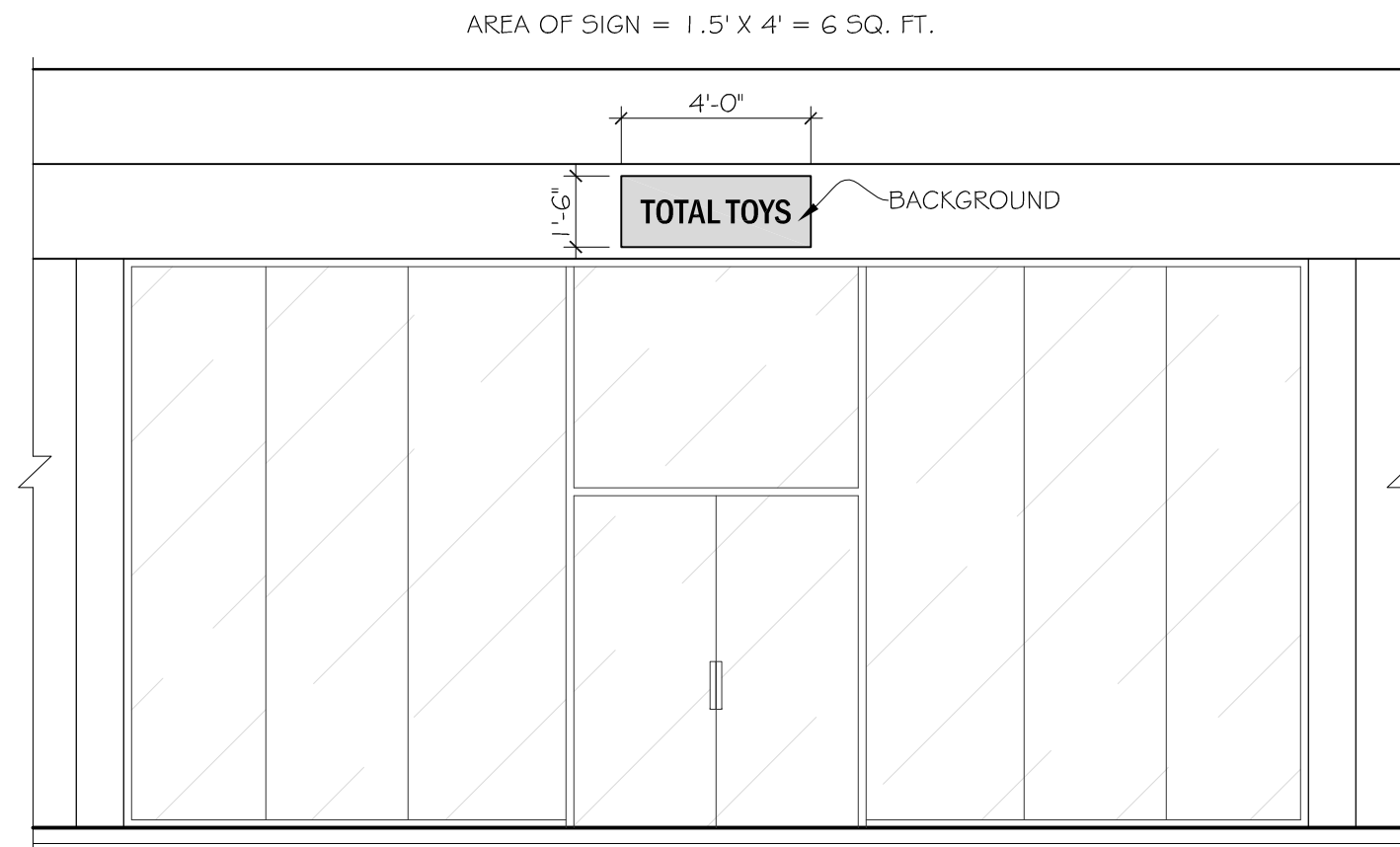


ARTICLE IX, 9-106 (A)
 THE AREA OF A SIGN, OR ANY PORTION THEREOF, HAVING A DISTINCTIVE OR ORNAMENTAL BORDER SHALL INCLUDE BOTH THE AREA ENCLOSED BY THE BORDER, AND THE AREA ENCLOSED WITHIN THE BORDER.



ARTICLE IX, 9-106 (B)
 THE AREA OF A SIGN, OR ANY PORTION THEREOF, HAVING A DISTINCTIVE OR ORNAMENTAL BACKGROUND, WHICH SETS THE BACKGROUND APART FROM A LARGER SURFACE SO THAT IT FORMS AN INTEGRAL PART OR ELEMENT OF THE SIGN, SHALL INCLUDE THE AREA OF THE BACKGROUND.



PROJECT TITLE:
 COMPUTATION
 OF SIGN AREA
 ALEXANDRIA, VA

gaddis architect
 2350 Duke Street, Suite D
 Alexandria, VA 22314
 973-701-8800
 Contact: Bridget Gaddis, AIA,
 LEED AP

DRAWING TITLE:
 EXAMPLE AREA OF
 SIGN CALCULATION

DRAWING DATE: 08-08-12

ISSUED FOR: INFORMATION

REVISED

DRAWN / CHECKED: BG

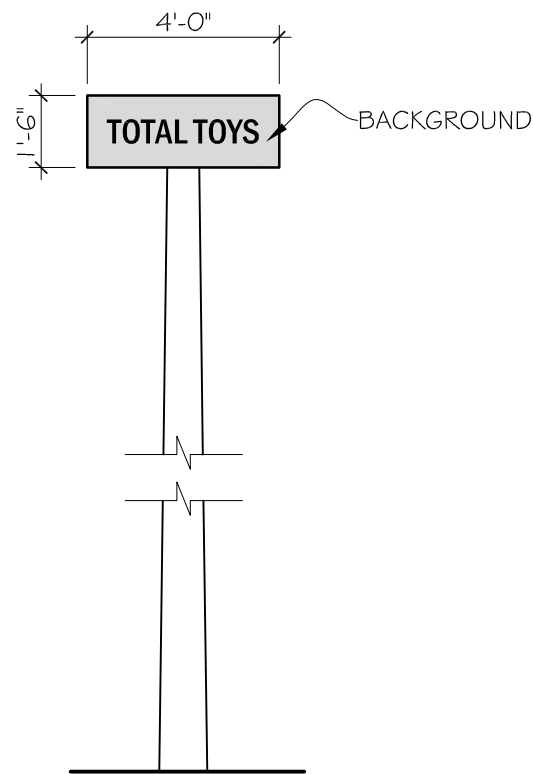
SCALE: 1/4" = 1'-0"

JOB NUMBER: 1108

DRAWING NUMBER:
SIGN 1

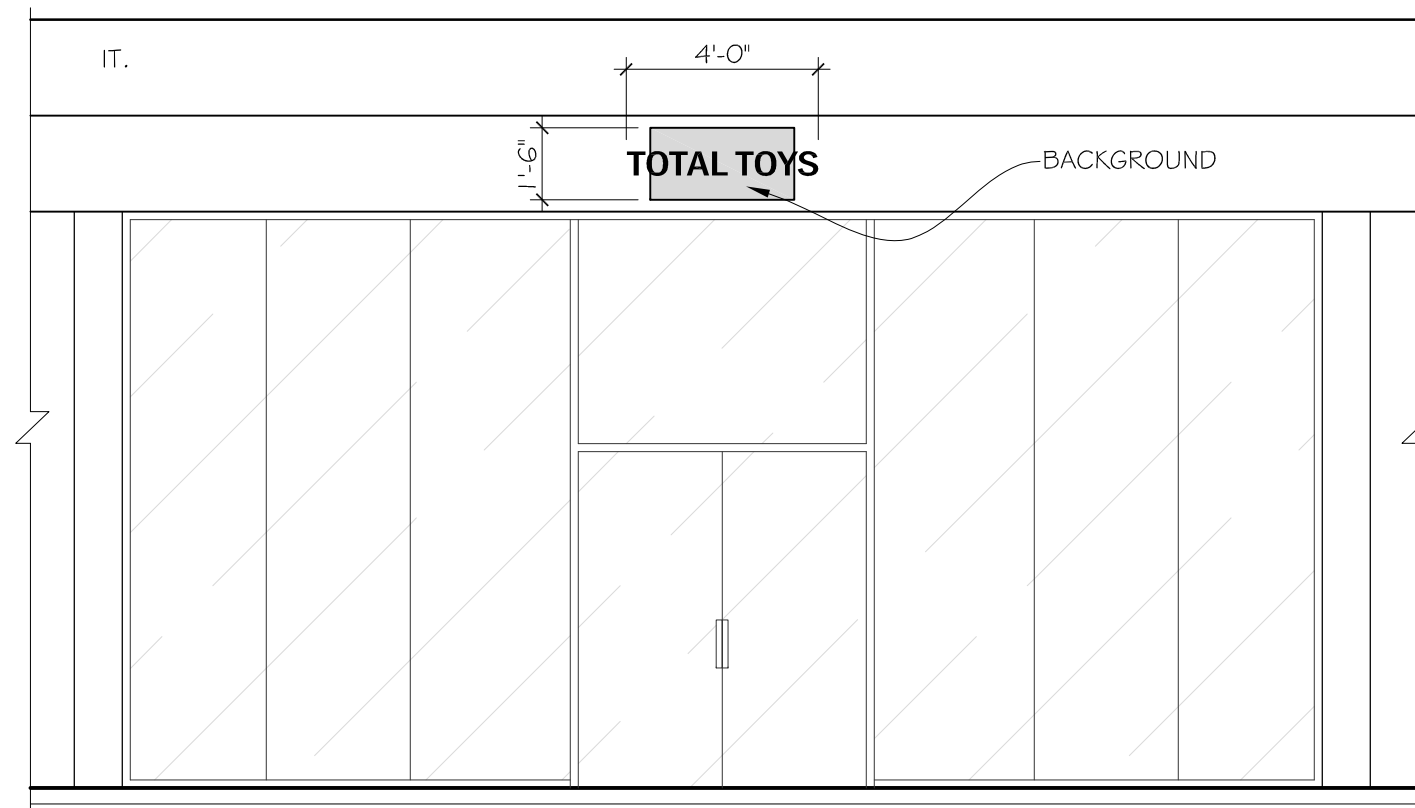
ARTICLE IX, 9-106 (C)
 THE AREA OF A
 FREESTANDING SIGN, OR
 ANY PORTION THEREOF,
 HAVING A BACKGROUND
 WHICH EXTENDS BEYOND
 THE WORDS, SYMBOLS OR
 PICTORIAL ELEMENTS
 THEREOF SHALL INCLUDE
 THE AREA OF THE
 BACKGROUND.

AREA OF SIGN = 1.5' X 4' = 6 SQ. FT.



ARTICLE IX, 9-106 (D)
 IF ANY PORTION OF THE WORDS,
 SYMBOLS OR PICTORIAL
 ELEMENTS OF A SIGN EXTENDS
 BEYOND A BORDER OR
 BACKGROUND, THE AREA OF
 THAT PORTION OF THE SIGN
 SHALL BE THE AREA OF A
 RECTANGLE INSCRIBED AROUND

AREA OF SIGN = 1.5' X 3' + 2(.5' X .5') = 5 SQ. FT.



PROJECT TITLE:
 COMPUTATION
 OF SIGN AREA
 ALEXANDRIA, VA

gaddis architect
 2350 Duke Street, Suite D
 Alexandria, VA 22314
 973-701-8800
 Contact: Bridget Gaddis, AIA,
 Leed Ap

DRAWING TITLE:
 EXAMPLE AREA OF
 SIGN CALCULATION

DRAWING DATE: 08-08-12

ISSUED FOR: INFORMATION

REVISED

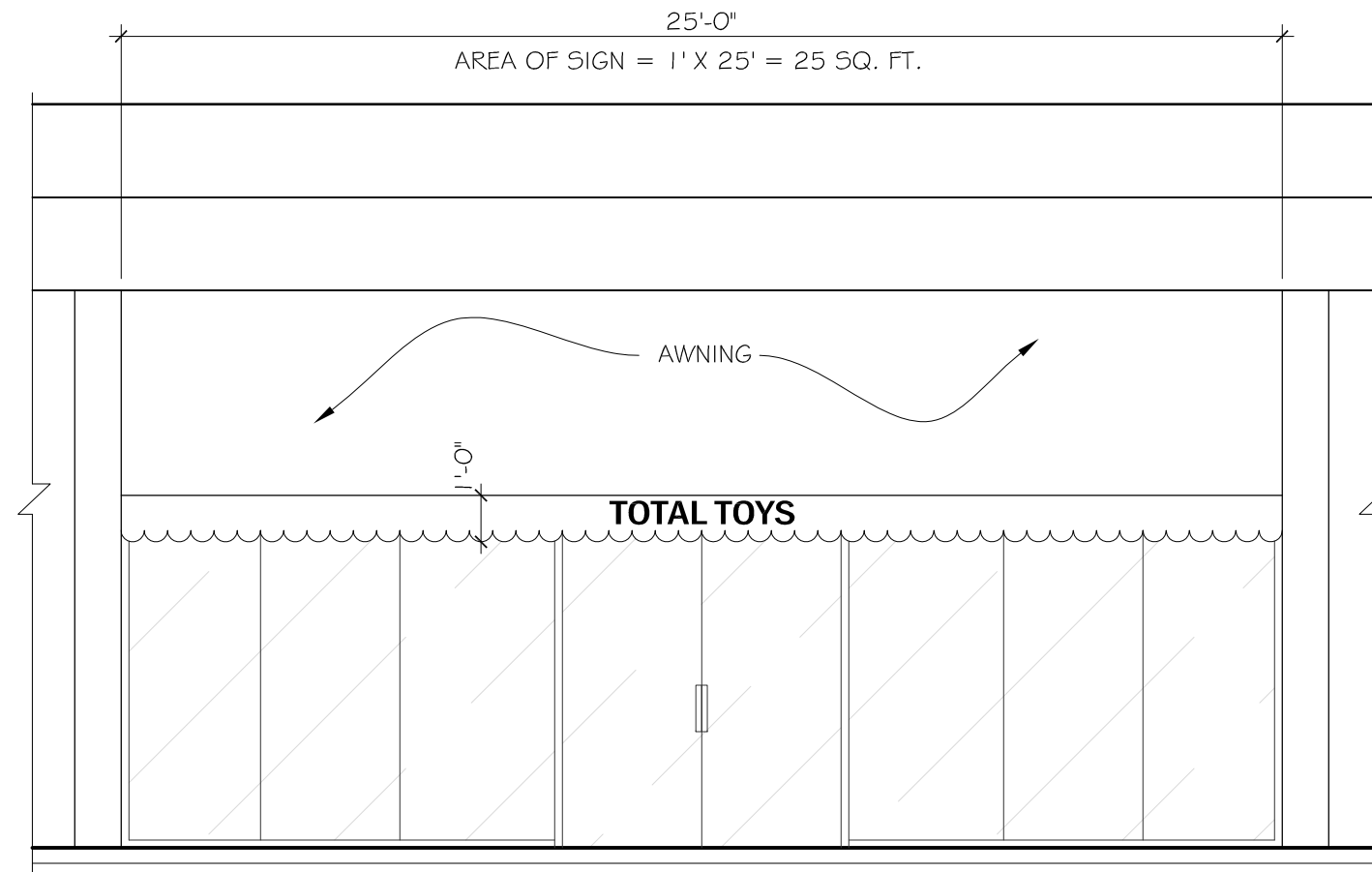
DRAWN / CHECKED: BG

SCALE: 1/4" = 1'-0"

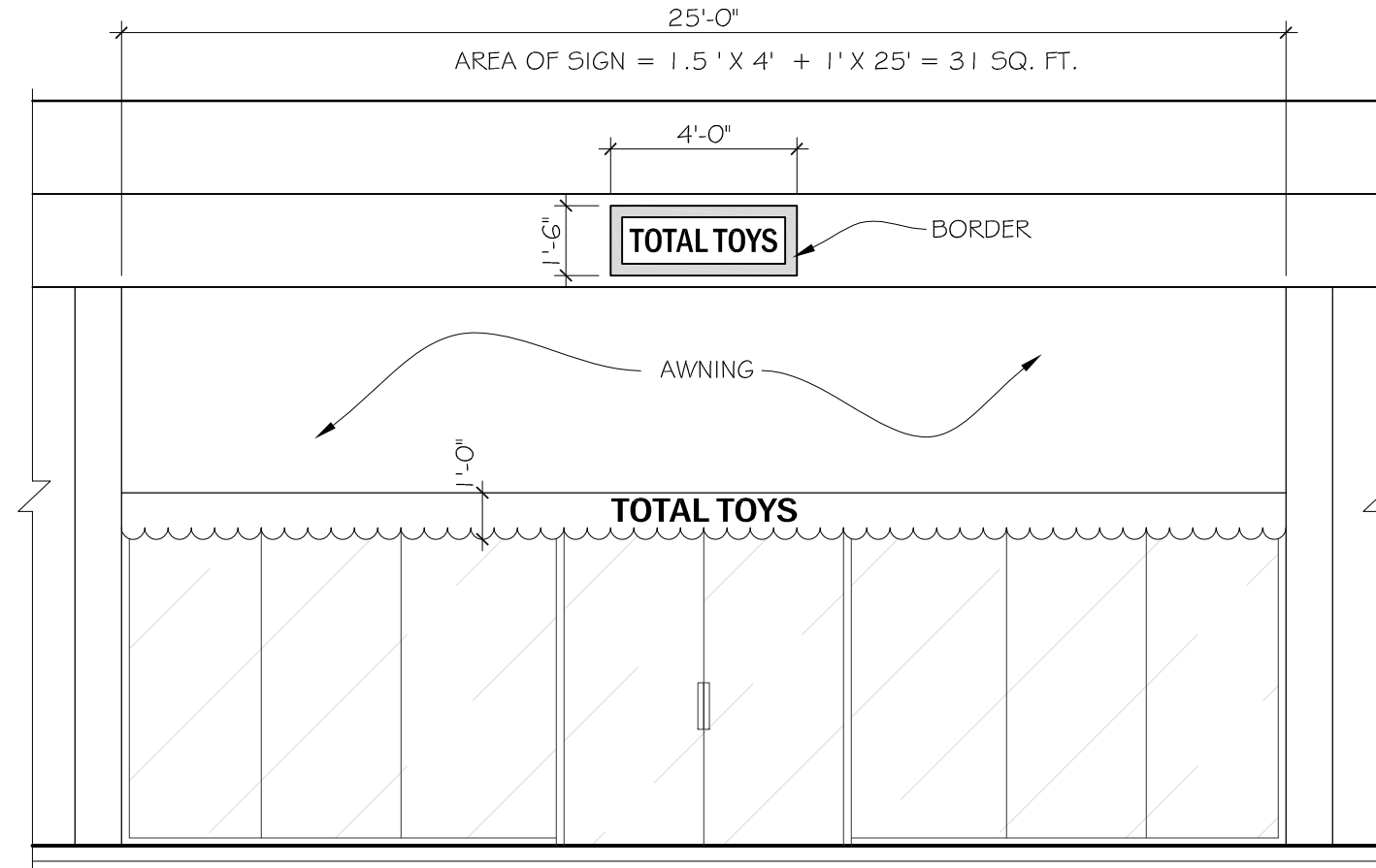
JOB NUMBER: 1108

DRAWING NUMBER:
SIGN 2

ARTICLE IX, 9-106 (E)
 THE AREA OF A MARQUEE OR
 AWNING, OR ANY PANEL
 THEREOF, WHICH PROVIDES A
 BACKGROUND FOR A SIGN
 SHALL BE INCLUDED IN THE AREA
 OF THE SIGN.



ARTICLE IX, 9-106 (F)
 THE AREA OF ANY SIGN HUNG,
 PLACED, PAINTED OR DISPLAYED
 ON A MARQUEE OR AWNING
 SHALL BE INCLUDED IN
 DETERMINING THE TOTAL AREA
 OF SIGNS ERECTED OR
 DISPLAYED.



PROJECT TITLE:
 COMPUTATION
 OF SIGN AREA
 ALEXANDRIA, VA

gaddis architect
 2350 Duke Street, Suite D
 Alexandria, VA 22314
 973-701-8800
 Contact: Bridget Gaddis, AIA,
 Leed Ap

DRAWING TITLE:
 EXAMPLE AREA OF
 SIGN CALCULATION

DRAWING DATE: 08-08-12

ISSUED FOR: INFORMATION

REVISED

DRAWN / CHECKED: BG

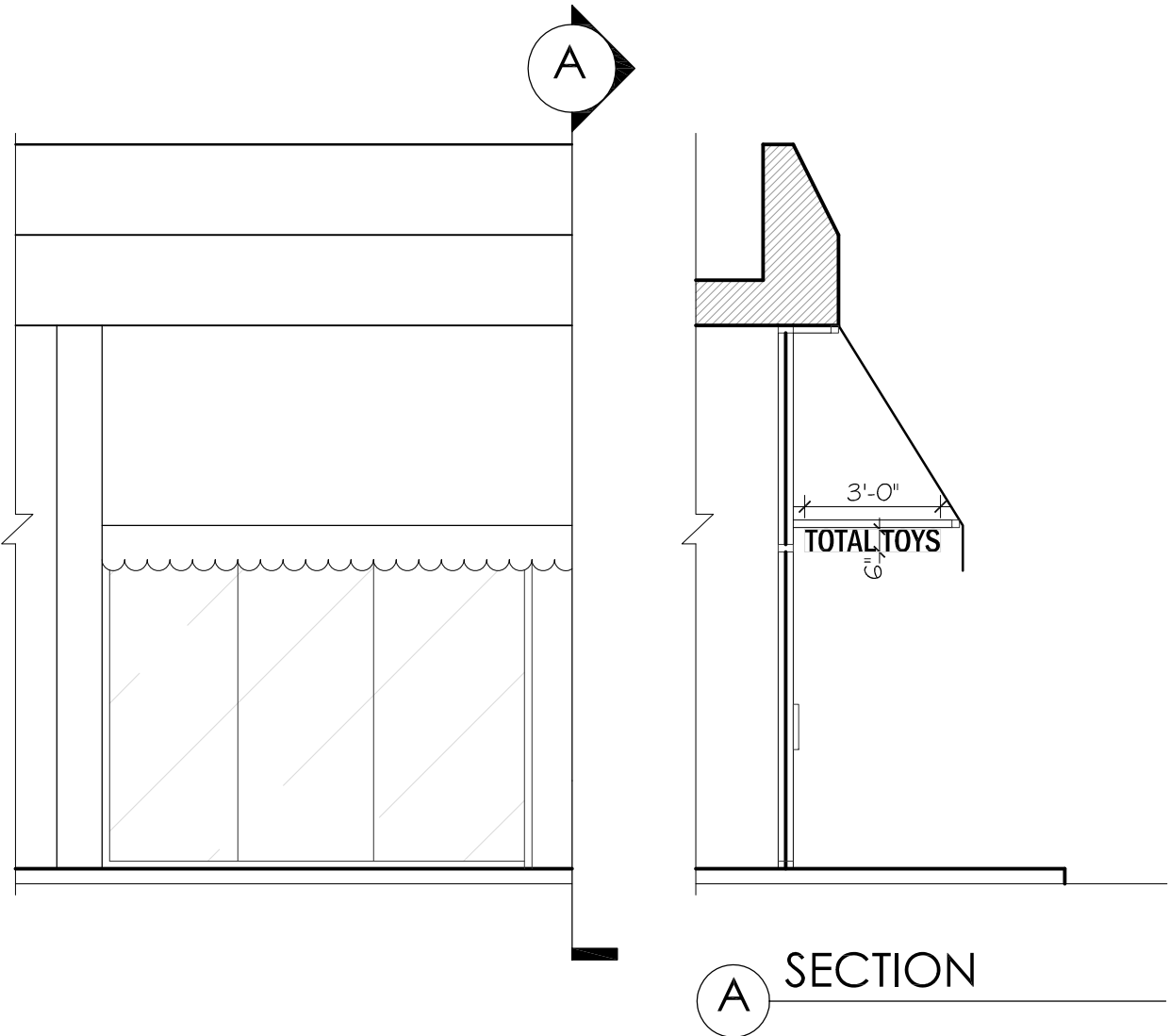
SCALE: 1/4" = 1'-0"

JOB NUMBER: 1108

DRAWING NUMBER:
SIGN 3

AREA OF SIGN = .5' X 3' = 1.5 SQ. FT.

ARTICLE IX, 9-1.06 (G)
 THE AREA OF A DOUBLE-FACE
 SIGN SHALL BE CONSIDERED TO
 BE THE AREA OF THE FACE
 HAVING THE LARGER AREA.



PROJECT TITLE:
 COMPUTATION
 OF SIGN AREA
 ALEXANDRIA, VA

gaddis architect
 2350 Duke Street, Suite D
 Alexandria, VA 22314
 973-701-8800
 Contact: Bridget Gaddis, AIA,
 LEED AP

DRAWING TITLE:
 EXAMPLE AREA OF
 SIGN CALCULATION

DRAWING DATE: 08-08-12

ISSUED FOR: INFORMATION

REVISED

DRAWN / CHECKED: BG

SCALE: 1/4" = 1'-0"

JOB NUMBER: 1108

DRAWING NUMBER:
SIGN 4